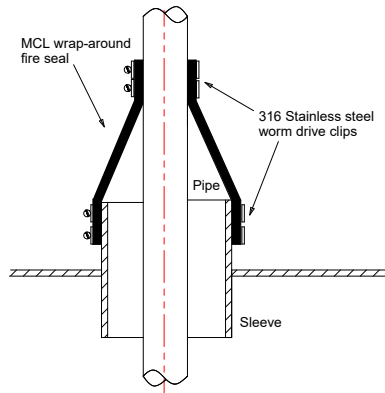
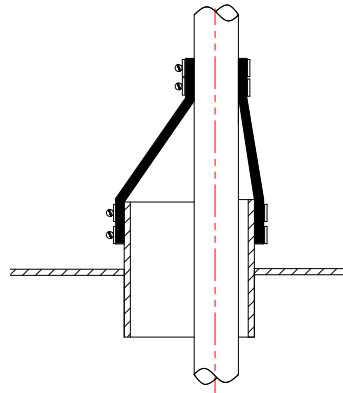


**NOTE: MCL CAN PROVIDE INDIVIDUAL SEAL SOLUTIONS TO THE MAJORITY OF PENETRATIONS, AND OFFER A FULL DESIGN PROCESS.**

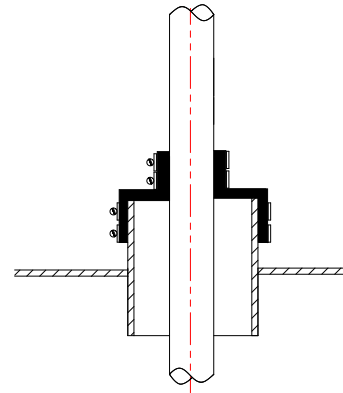
**PLEASE CONTACT US FOR FURTHER DETAILS.**



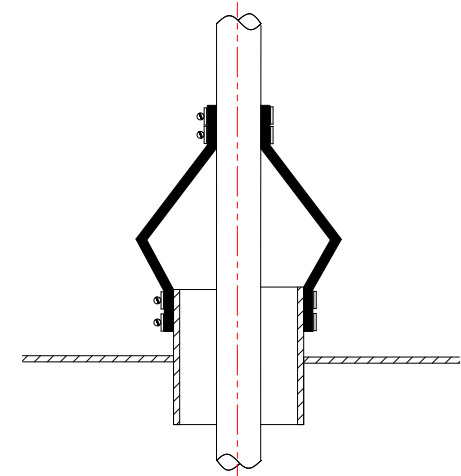
**STANDARD VARIANTS**



**OFFSET VARIANTS**

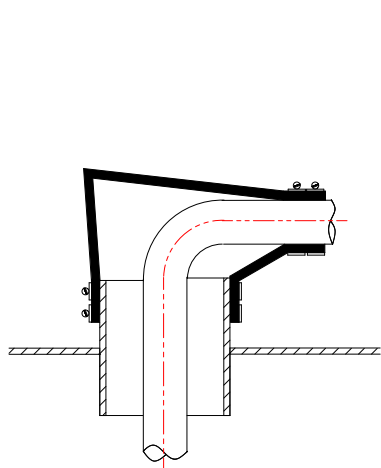


**PILLBOX VARIANTS**

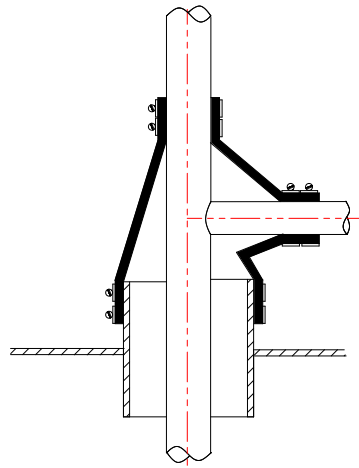


**BELLOWS VARIANTS**

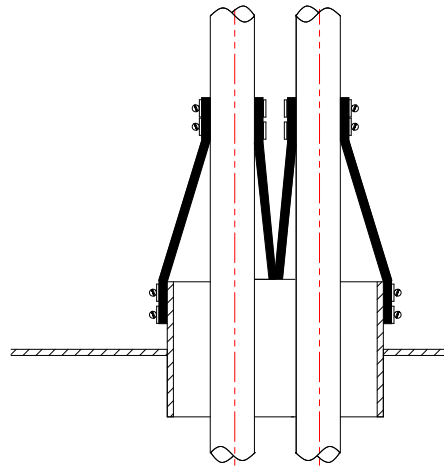
(To facilitate a high degree of pipe movement within the sleeve)




**ELBOW VARIANTS**



**T-SHAPE VARIANTS**



**MULTIPIPE VARIANTS**

CLIENT PROJECT:  N/A	MCL REFERENCE NUMBER:  N/A	DRAWING ALTERATIONS			SCALE: 1 : 5	ALL DIMS IN MM	DRAWING TITLE:	
	 MCL HOUSE, ADAMS CLOSE, HEANOR GATE INDUSTRIAL PARK, HEANOR, DERBYSHIRE, DE75 7SW, UK T: + 44 (0)1773 761226 E: info@mclunitex.com	DATE	REV	DESCRIPTION	DRAWN BY: GS	DATE: 18/06/24	PENETRATIONS & MCL SEAL TYPES	
			CHECKED BY: AA	DATE:				
CLIENT ORDER REF:  N/A	NOTICE: THIS DRAWING IS THE PROPERTY OF MCL. LOANED SUBJECT TO THE CONDITIONS THAT IT SHALL NOT BE COPIED, REPRODUCED, LOANED OR SUBMITTED TO OUTSIDE PARTIES FOR EXAMINATION WITHOUT WRITTEN CONSENT.				APPROVED BY:	DATE:	DRAWING NUMBER: MCL-DOC-TYPES-01	REVISION: 0